



HANDJET[®] EBS-260 Printer

Operating a Pigment-Ink Printer

| <u>Objective, Purpose:</u> | <u>Target, Destination:</u> |
|--|--|
| To supplement the HANDJET [®] EBS-260 printer operating manual with the information on how to deal with the printer if pigment inks are used. | EBS printer users and service persons. |

1. Undesirable effects:

The pigment inks can be characterized with the fact that a pigment as the dying substance settles at the bottom or on the walls of any container in which it is, always when the ink is not subjected to a pigment dispersion movement (so that the pigment is ground down and stirred).

In the mobile HANDJET[®] EBS-260 printer, where pigment inks are used, the phenomenon can cause the following effects:

- a). The pigment can settle at the bottom of the container (cartridge) from which the ink it is pumped to the print head. If non-homogeneous (low dispersion) ink is in the container, the following can be pumped to the print head depending on the printer's idle state position:
 - ◆ a thick pigment, which can cause malfunction of the printing unit or enhanced effects described below,
 - ◆ a highly diluted ink without pigment.
- b). The pigment can settle at the bottom of the nozzle chamber, which results in printing printouts in less intensive color in the first stage of printing (when the printer is switched on after a longer idle time). At that time the printouts are made with the ink that contains more solvent.
- c). In the long term, the pigment can settle on the walls of ink tubes and the filter inside the printing unit, thereby causing a reduction in the tubes' internal diameter and in consequence, a reduced ink flow. The effects are similar to reduced ink pressure - no ink drops are jetted out of nozzles, the ink flows down the nozzle plate, the ink is jetted out of some of the nozzles only, printouts are unclear. The effects can occur after a dozen or so or even after several months of operation when the ink is seldom stirred before and during printer operation.

2. Working parameters

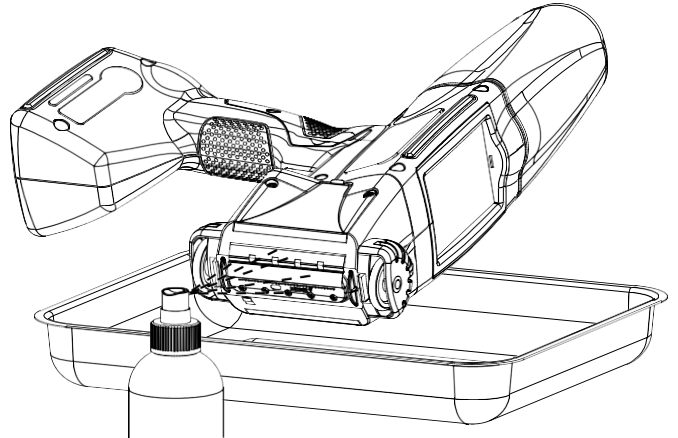
- ◆ When pigment ink is used, it is recommended that working pressure be set to 0.5 bar and intensity to as high as possible.

3. Everyday operation of a pigment-ink printer

- a). Before commencing operation, you should shake the printer intensively several times while holding it in your hands, in order to stir the ink in the ink chamber and in the container.
- b). During operation, it is recommended that the printer be tilted in various directions, so that the pigment contained in the ink mixes with solvent.

c). When operation is finished and the printer is switched off, bathe the print head face from the outside, in particular the nozzle plate and the guide rolls. In order to remove the remnants of the ink and dirt, do the bathing in the following way:

- ◆ position the HANDJET printer on its side and slightly tilt its face downwards (see the drawing below); such a position makes dirty cleaner flow out freely,
- ◆ place absorbent material or a metal container, e.g. a tray, under the printer face,
- ◆ bathe the printer face with sprayed cleaner.

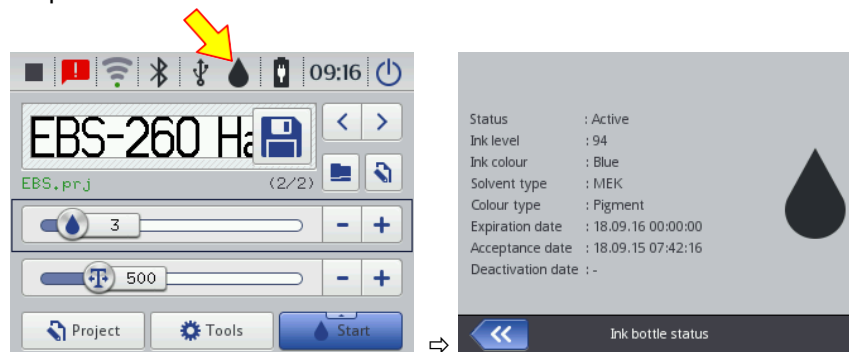




4. When the printer is not used for a longer period than 14 days

When the printer is stored and not used for a longer time, the ink may partly dry in printer components. Therefore the printer should be secured for storage in the following way:

a). Connect a container of solvent of the appropriate type in place of the ink container.

The type of solvent can be viewed in the ink-container status window after pressing the drop icon on the main screen top bar.



b). Start the nozzle purge function by pressing consecutively the **Tools, Service** and **Purge** buttons or by pressing the  button and holding it down until a drop-down menu appears and then choosing .

c). Point the nozzle outlet at a waste ink container.

d). Press the release button.

CAUTION! The operation causes an audible warning to be generated and then all electromagnets in the head to open and the ink to flow out at pressure!

e). Continue purging until the ink is completely displaced by solvent.

f). Store the printer together with the solvent container installed.

5. When regular ink stirring is neglected



- ◆ If you notice the effects described at point 1-c) and when tilting and shaking of the printer does not bring desirable results, contact your service point as ink tubes need removing and clearing or replacing. It may also appear that the ink filter, through which the printing unit is fed with ink, needs replacing. These operations should be performed by qualified service staff.