



EBS-260

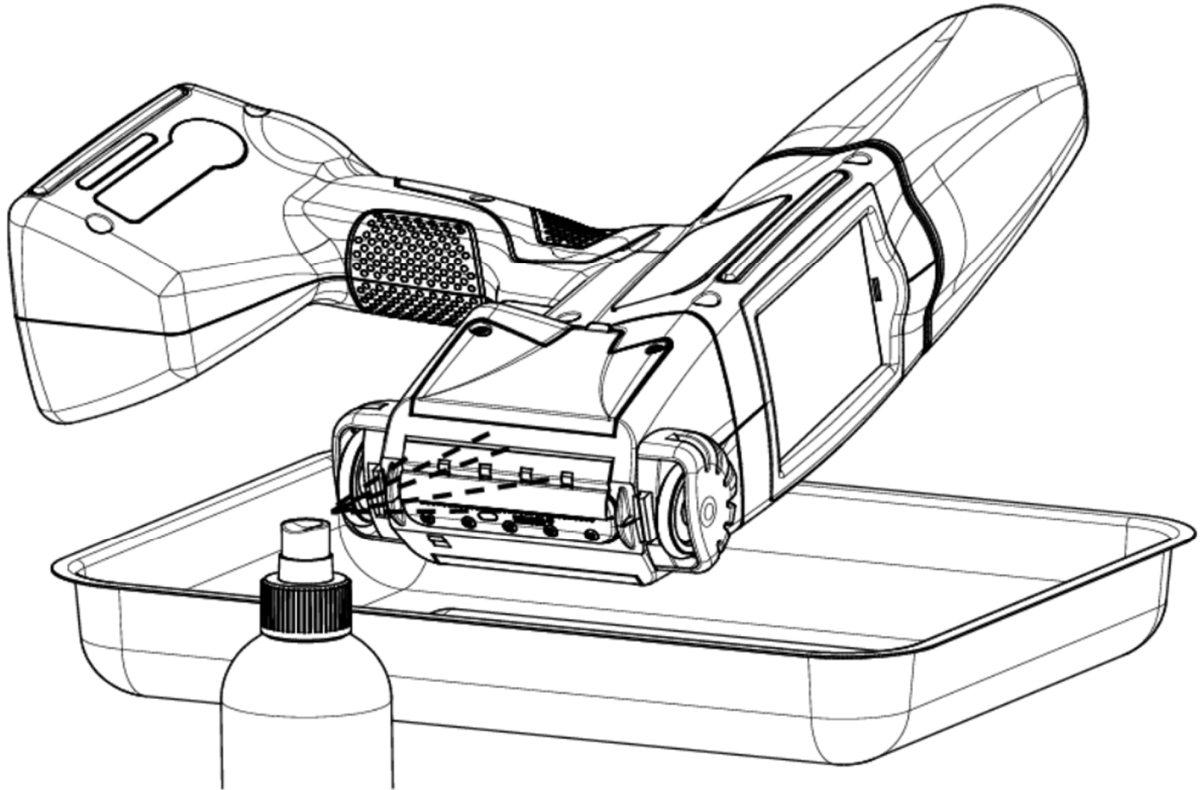
RECOMMENDED CLEANING OF NOZZLE PLATE



Recommended cleaning of nozzle plate

It is recommended that the outer face of the print head, especially the nozzle plate, and possibly the guide rolls should be washed in order to remove the remnants of ink and dirt after the work has been finished and the printer has been switched off. The washing should be done in the following way:

- Place the HANDJET printer on its side and tilt its face downwards carefully (see the drawing below); in such a position dirty wash-up can flow freely out of the printer,
- Place a piece of absorptive cloth or a metal vessel, e.g. a tray, under the printer face,
- Wash the printer face with the use of a wash-up atomizer.



NOTE!

If the printer face is washed in a different way than that shown above, then wash-up may get in to the printer's movable, bearing-based parts or inner electronic subassemblies unintentionally. In effect, the roll guides may seize or even lockup permanently and the (shaft-encoder) position sensor and other electronic subassemblies may get damaged.